

## PRODUCT ID: 67992

### Universal Mount

#### MODEL

UNI-550/750SM

#### DIMENSIONS

2" H x 4" W x 4" D (est. 0.953 lbs)

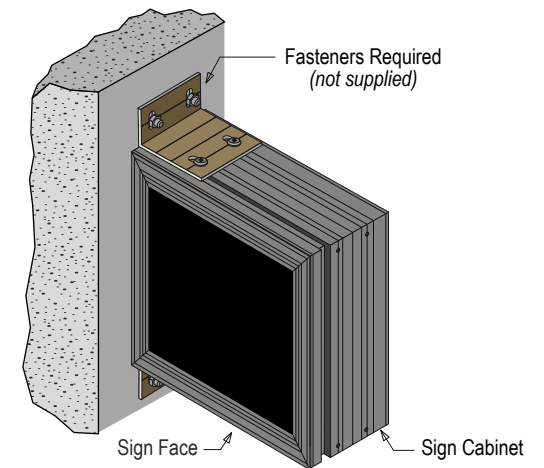
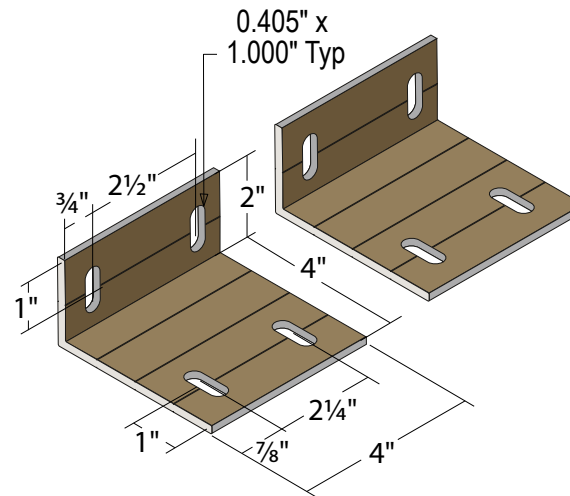
#### CONSTRUCTION

Finish: Duranodic Bronze

Material: 3/16" thick aluminum L-shaped bracket, pre-drilled for attachment.

## Product View

NOTE: Sign image may not exactly represent the finished product. For illustration purposes only.



**Signal-Tech**  
4985 Pittsburgh Ave.  
Erie, PA 16509  
Phone: (877) 547-9900  
Fax: (814) 835-2300  
Email: sales@signal-tech.com  
Website: www.signal-tech.com

**Signal-Tech**