

PRODUCT ID: 62841

Angle Mount Bracket

MODEL

VAM-10 inch

DIMENSIONS

3" H x 10" W x 4.75" D (est. 2.875 lbs)

CONSTRUCTION

Finish: Duranodic Bronze

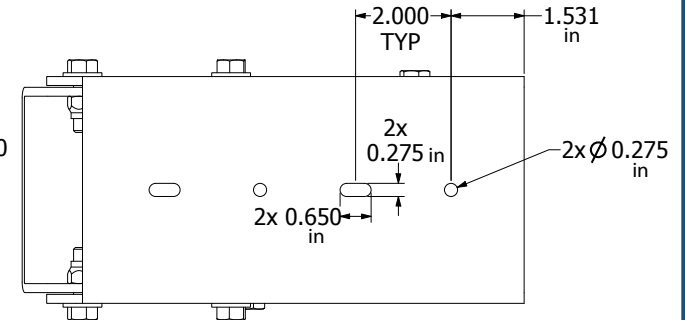
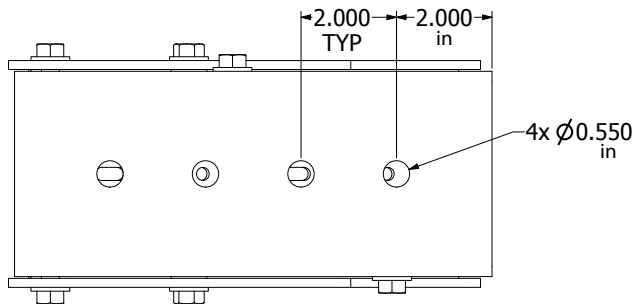
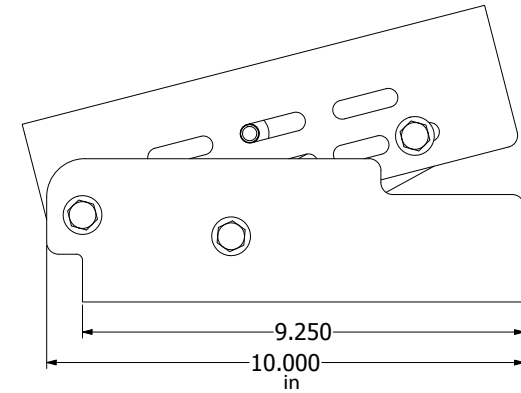
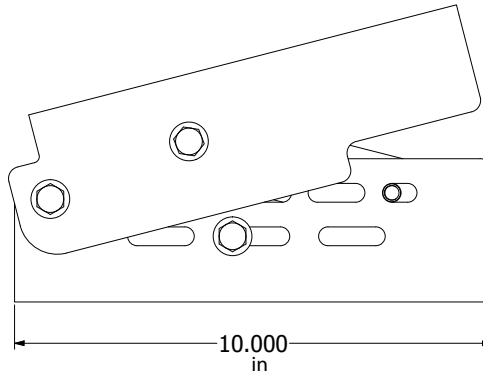
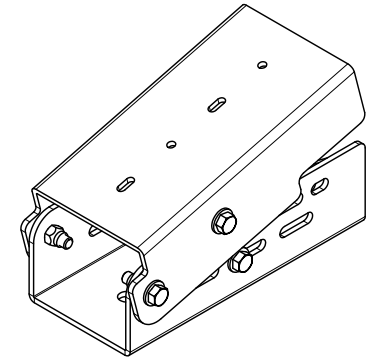
Material: Formed 3/16" Aluminum bracket w/ stainless steel hardware. Adjustable between 15-90 degrees

INSTALLATION

Note: Variable angle, adjustable 15-90 degrees

Product View

NOTE: Sign image may not exactly represent the finished product. For illustration purposes only.



Signal-Tech
4985 Pittsburgh Ave.
Erie, PA 16509
Phone: (877) 547-9900
Fax: (814) 835-2300
Email: sales@signal-tech.com
Website: www.signal-tech.com

